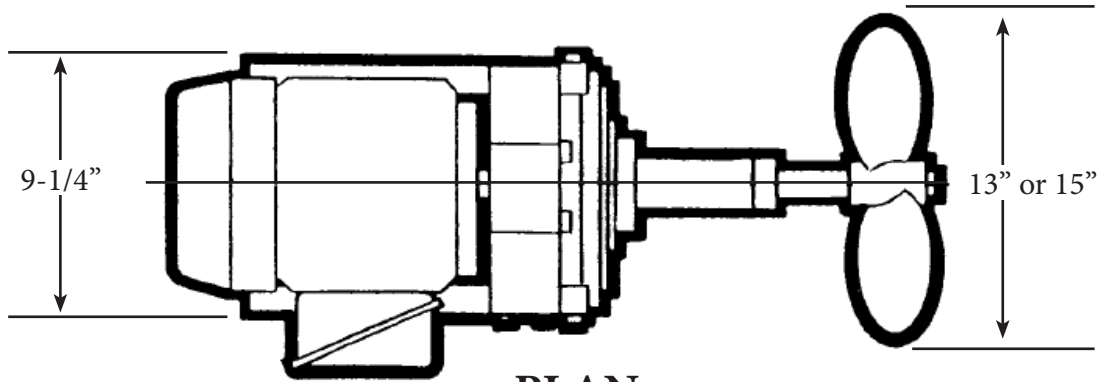
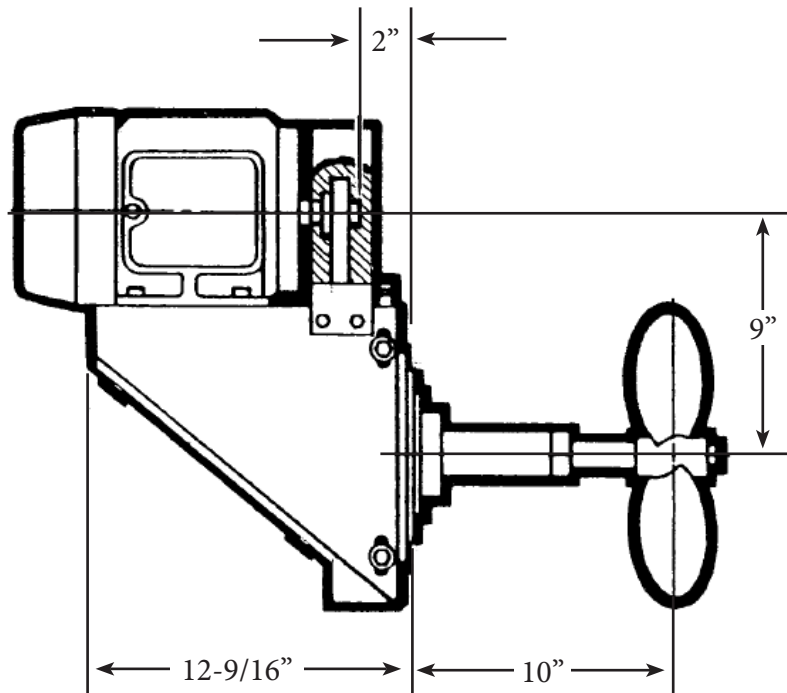


# LEASE TANK MIXER MODEL 401 DIMENSIONS

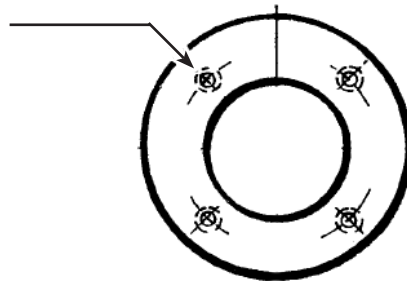


PLAN



ELEVATION

4 HOLES 1/2-13 NC  
 90° APART ON  
 5-3/4" B.C.



1" PLATE, 7-5/8" O.D., 4" I.D.

NOZZLE

NOTE:  
 NOZZLE AND GASKET ARE  
 SUPPLIED WITH EACH MIXER. SEE  
 DRAWING 5CA FOR INSTALLATION



CUT SHEET 5CF