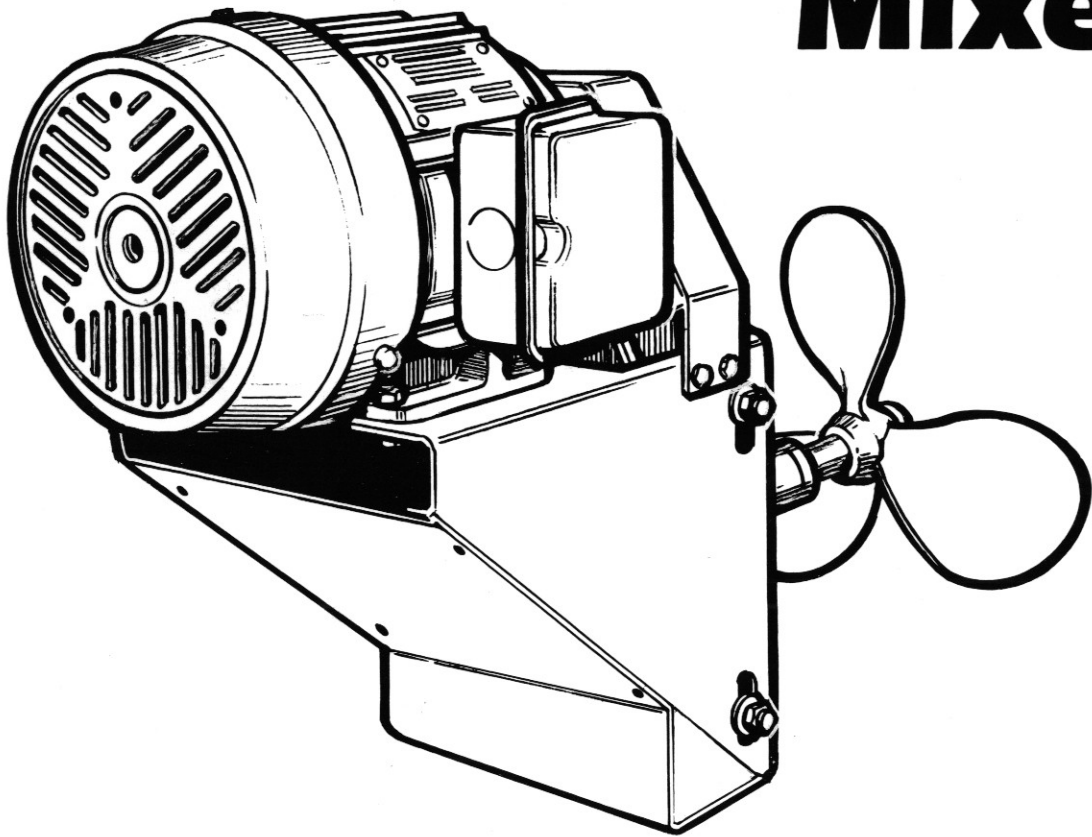


JENSEN

Model 401 Lease Tank Mixers



Reclaims tank bottoms, improves chemical efficiency, eliminates tank cleaning.

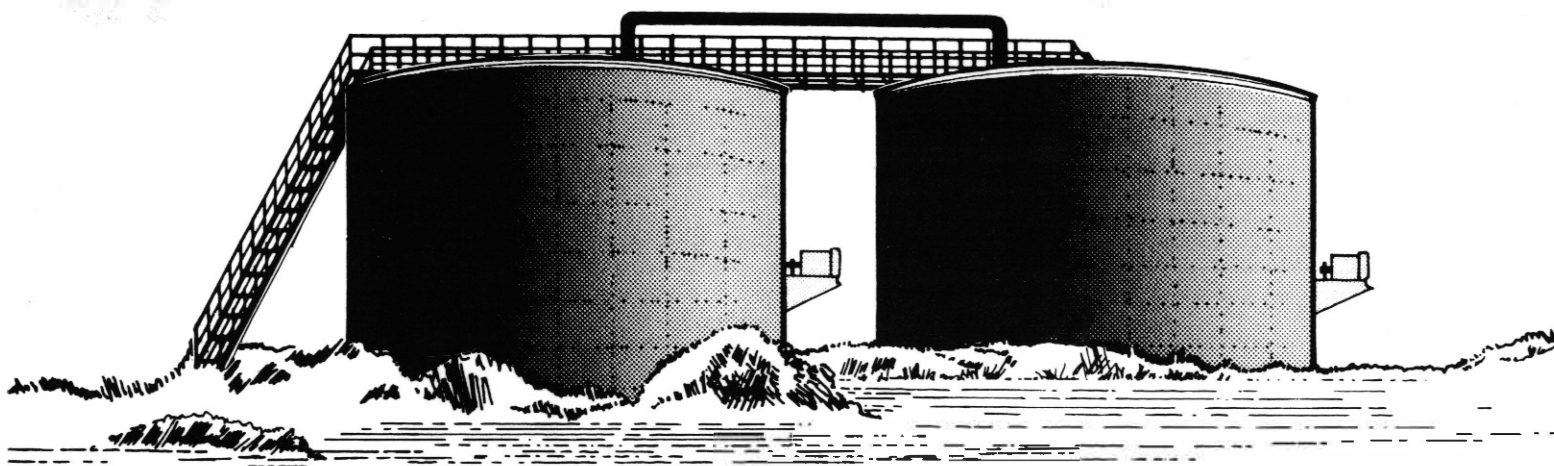
S18J-1

JENSEN

What Jensen's Latest

Cost Cutting Crude Churner

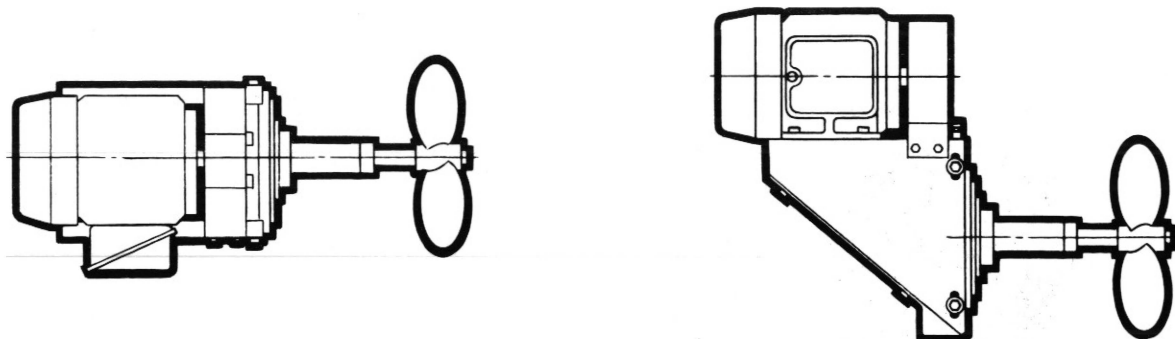
Can Do For You



A Jensen Model 401 Mixer Installed in a Clean Tank and Operated Regularly...

- will completely eliminate undesirable tank bottom accumulations
- will break up heavy ends and basic sediments to improve water drainage
- will improve efficiency of chemicals required
- will eliminate need to periodically clean out tank bottoms
- can eliminate need for heater-treaters.

A Jensen Model 401 Mixer installed in a tank containing sediment build-ups can, when used in conjunction with heat or chemicals, convert a high percentage of this sediment to pipeline oil.



Compare Construction

All Jensen Model 401 bearings are sealed and self-lubricating — no lubrication or maintenance for over 250,000 hours. Driven with a single adjustable V-belt.

Compare Installation

One flange (included with mixer) allows simple weld on or bolt on installation. In both cases only the flange is attached to the tank. The mixer does not become part of your tank. The mixer is supported entirely by the flange. No bases or other special preparations required.

Compare Efficiency

Compare the fluid movement produced by Jensen's propellers (15" on the 2 HP mixer, 13" on the 1 HP mixer) with other prop sizes.

