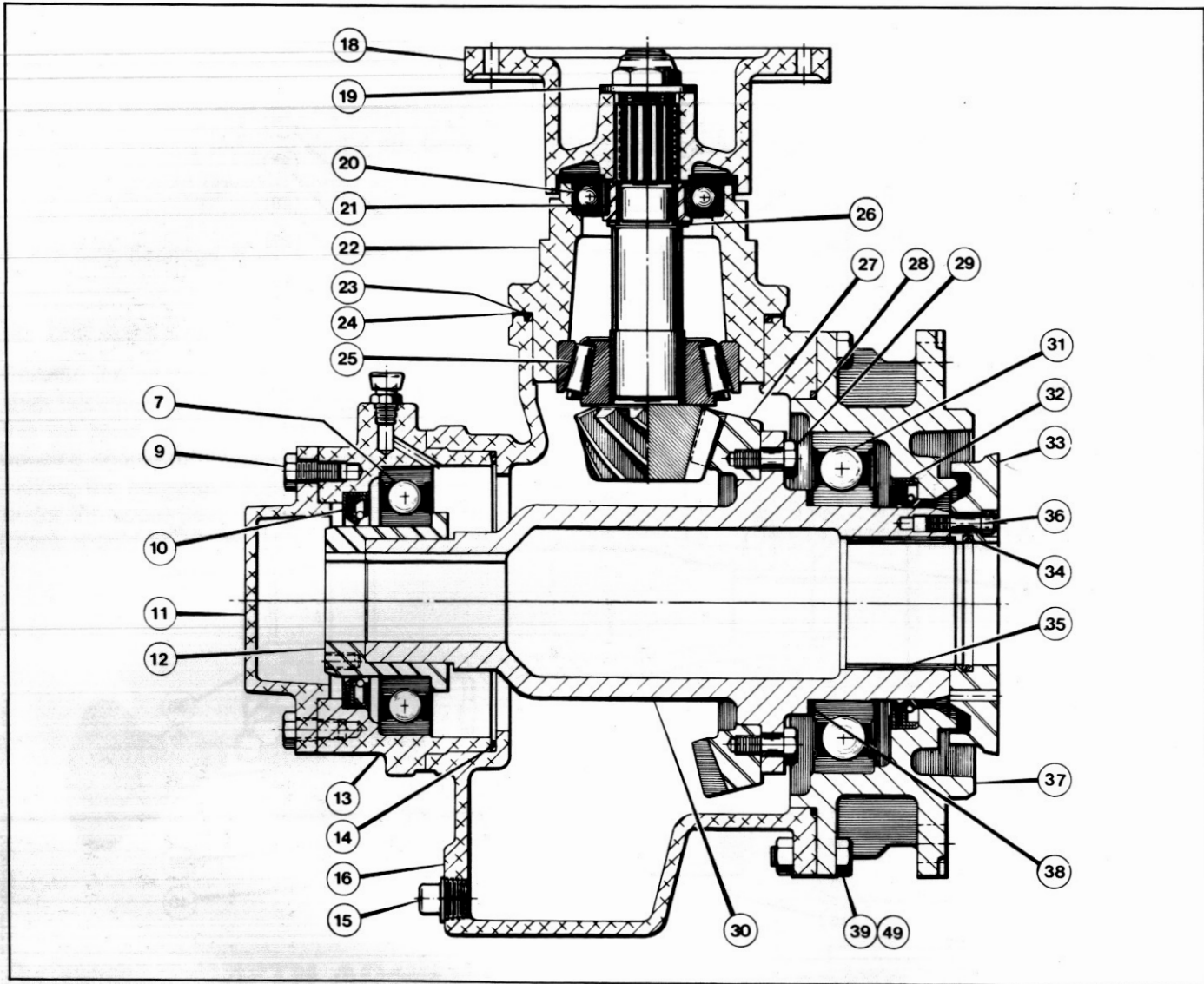


Gearbox Assembly

For Model 520 Mixer

AND 550 MIXER.



ITEM NO.	DESCRIPTION	ITEM NO.	DESCRIPTION
7	Bearing	24	Shims
10	Oil Seal	25	Bearing
11	Cap	26	Shims
12	Ring	27	Gear Set
13	Ring	28	O-ring
14	O-ring	30	Drive Sleeve
16	Case	31	Bearing
18	Coupling Hub	32	Oil Seal
19	Washer	33	Ring
20	Bearing	34	O-ring
21	Bushing	35	Bushing
22	Cap	37	Body
23	O-ring	38	Shims
		39 49	

IMPORTANT
 When ordering parts, give:
 Mixer Model
 Serial Number
 Item Number
 Part Name
 Part Dwg. No. S12-BN