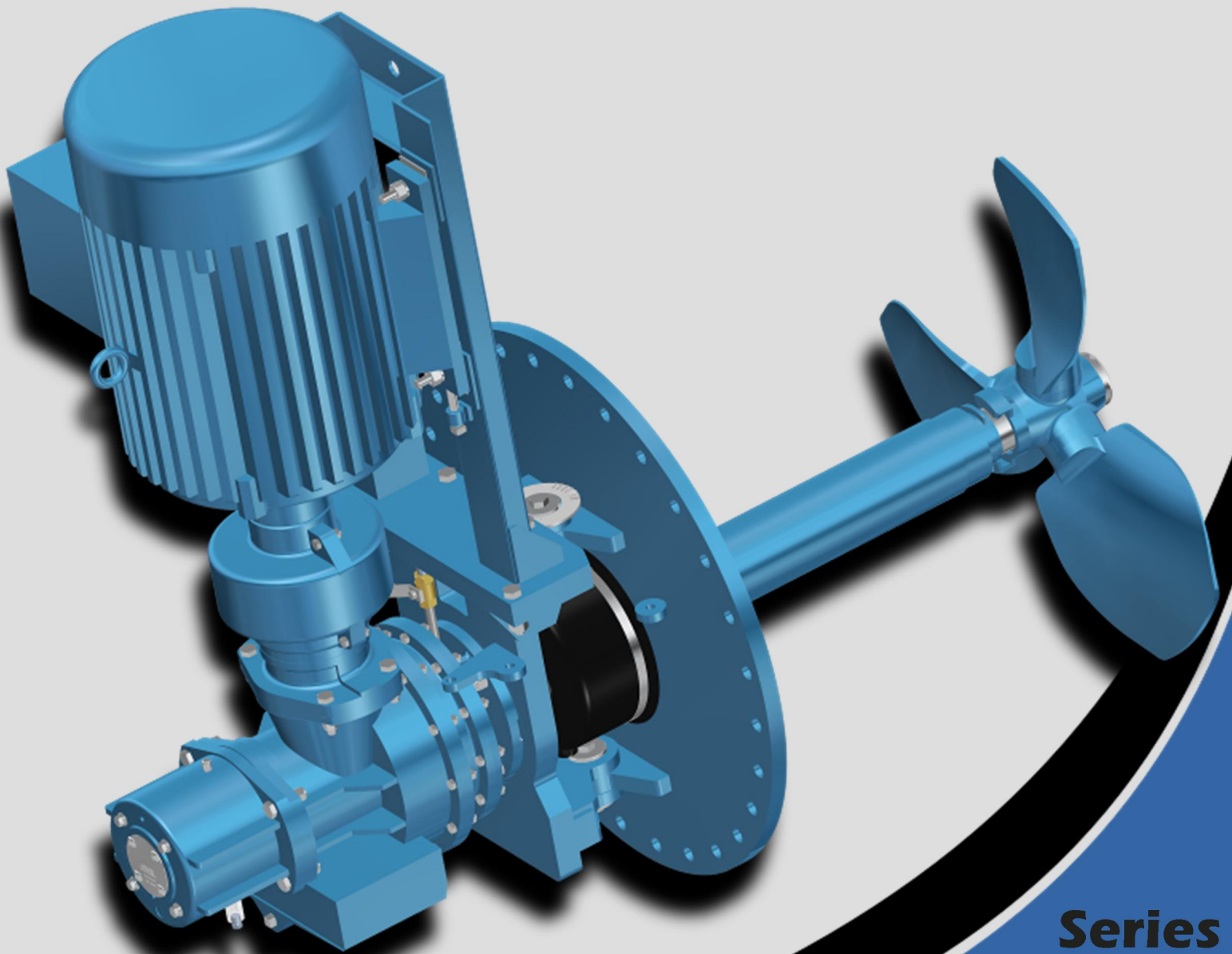


Jewsen **Mixers**



SI8E-4

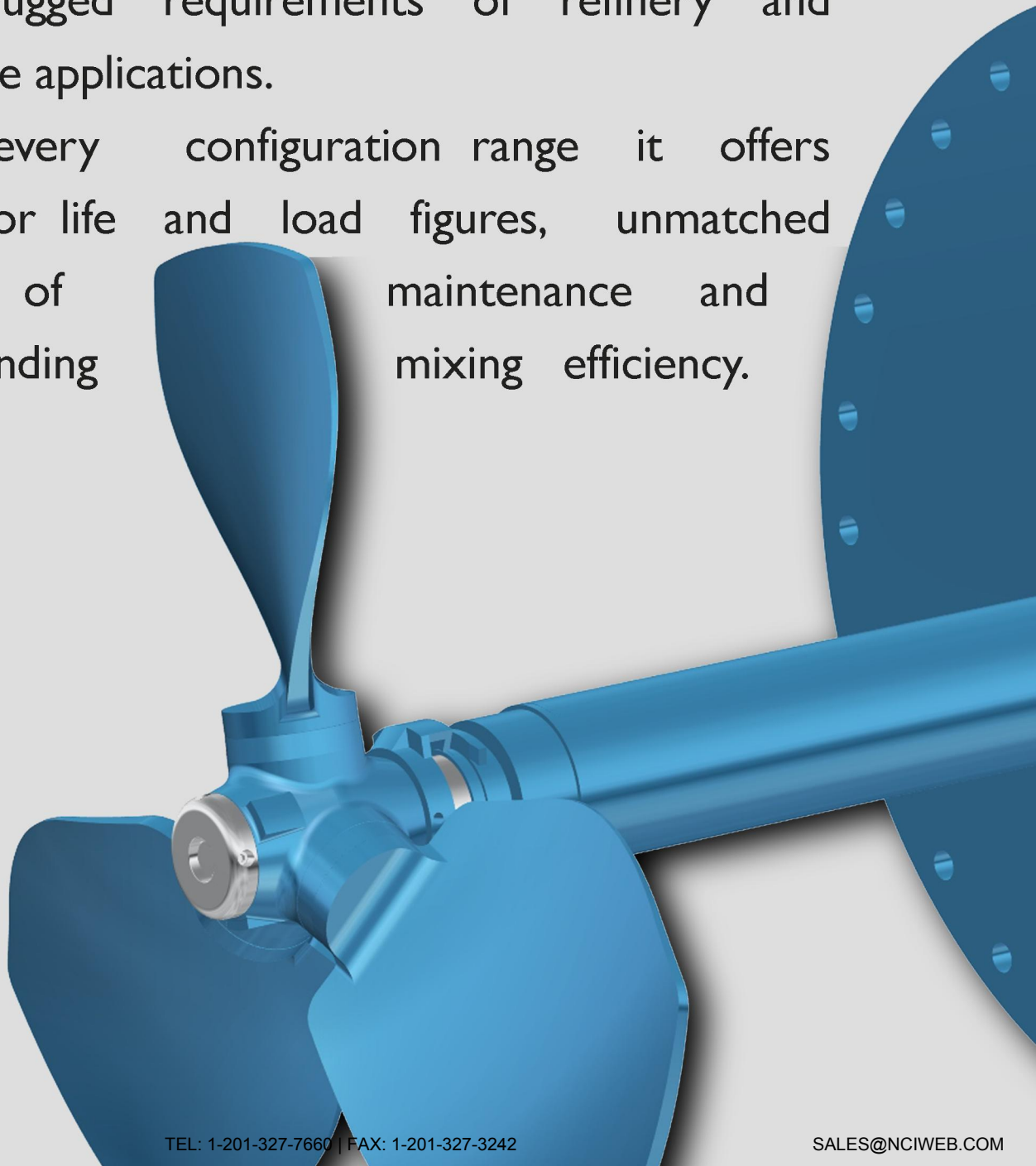
Series
600
Mixers

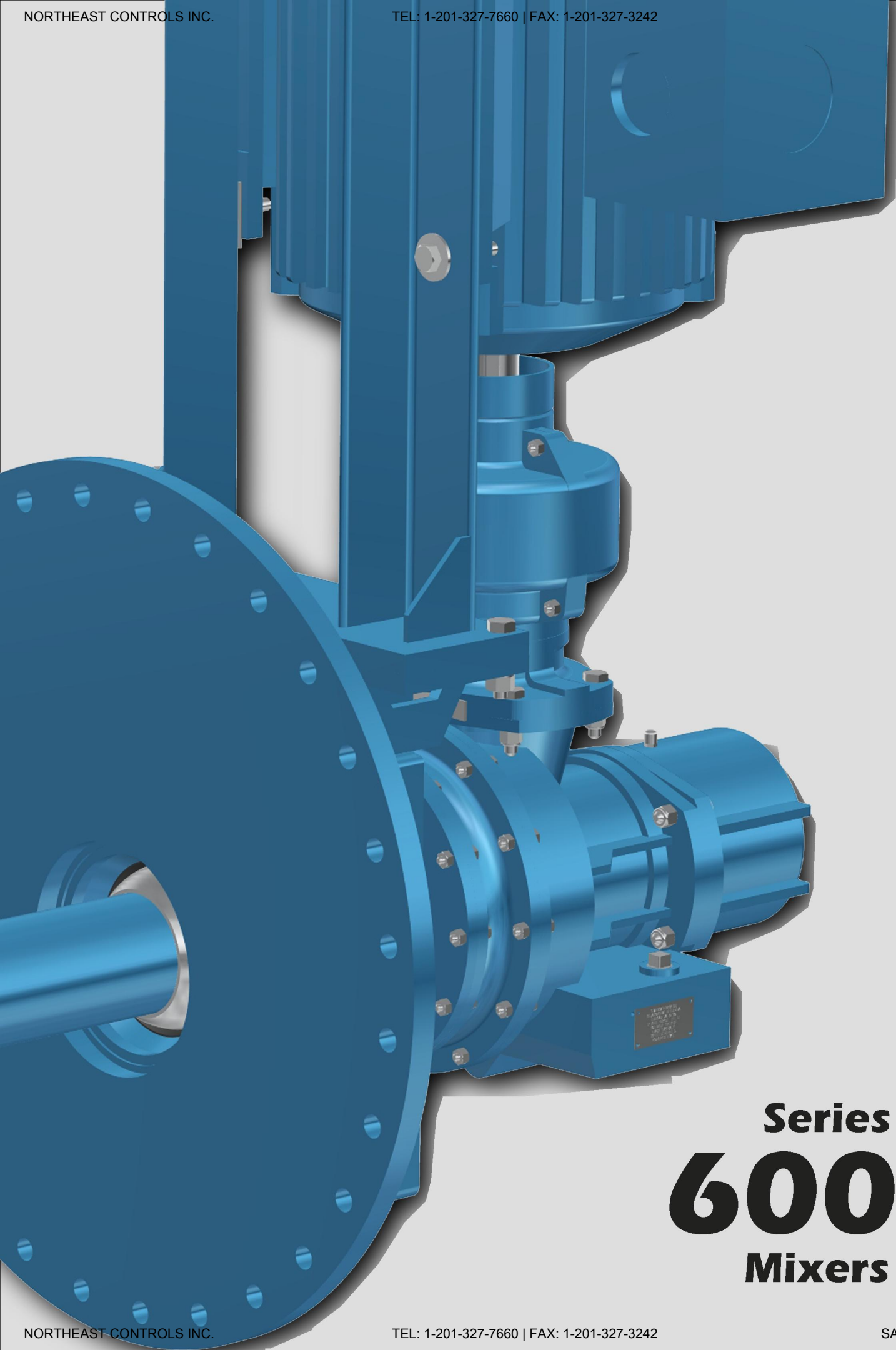
Jensen

MIXERS

Jensen Series 600 Mixer is the only side-entering mixer designed exclusively for use in petroleum service. Every design feature is tailored to meet the rugged requirements of refinery and pipeline applications.

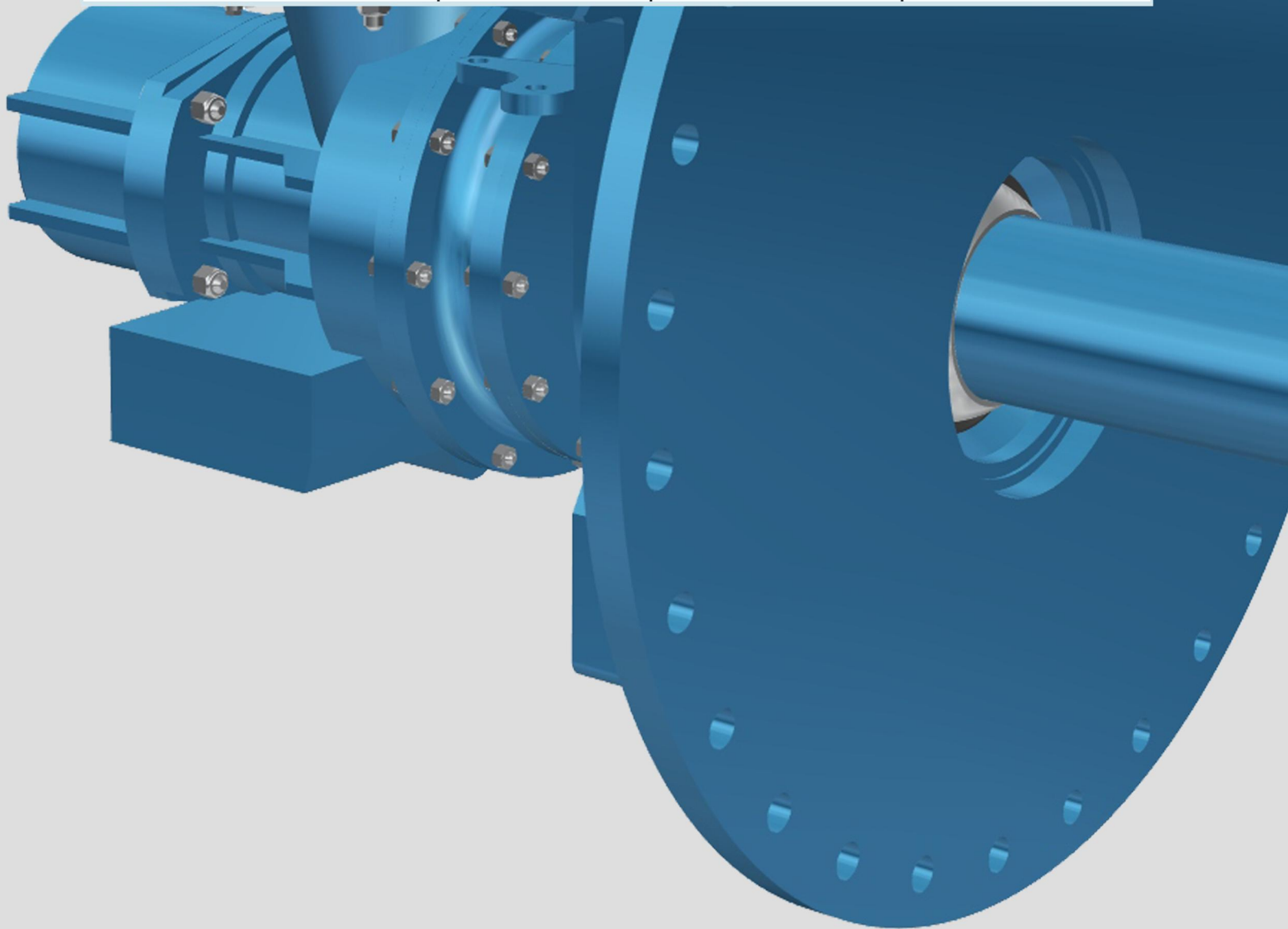
In every configuration range it offers superior life and load figures, unmatched ease of maintenance and outstanding mixing efficiency.





Series
600
Mixers

MODEL	620	650	680
H.P. (MAX)	20	40	75
SHAFT R.P.M.	425	425	425
GEAR RATING	37.5 HP	116 HP	116HP
CRITICAL SPEED	2,470 RPM	2,870 RPM	3,200 RPM



MIXER

Jensen standard materials offer optimum performance in any hydrocarbon application.

Shaft- Stainless Steel

Locking ring, lock bushing & seal housing –
316 Stainless Steel

Drive Yoke – Aluminum Bronze

Propeller & Body – Cast carbon Steel

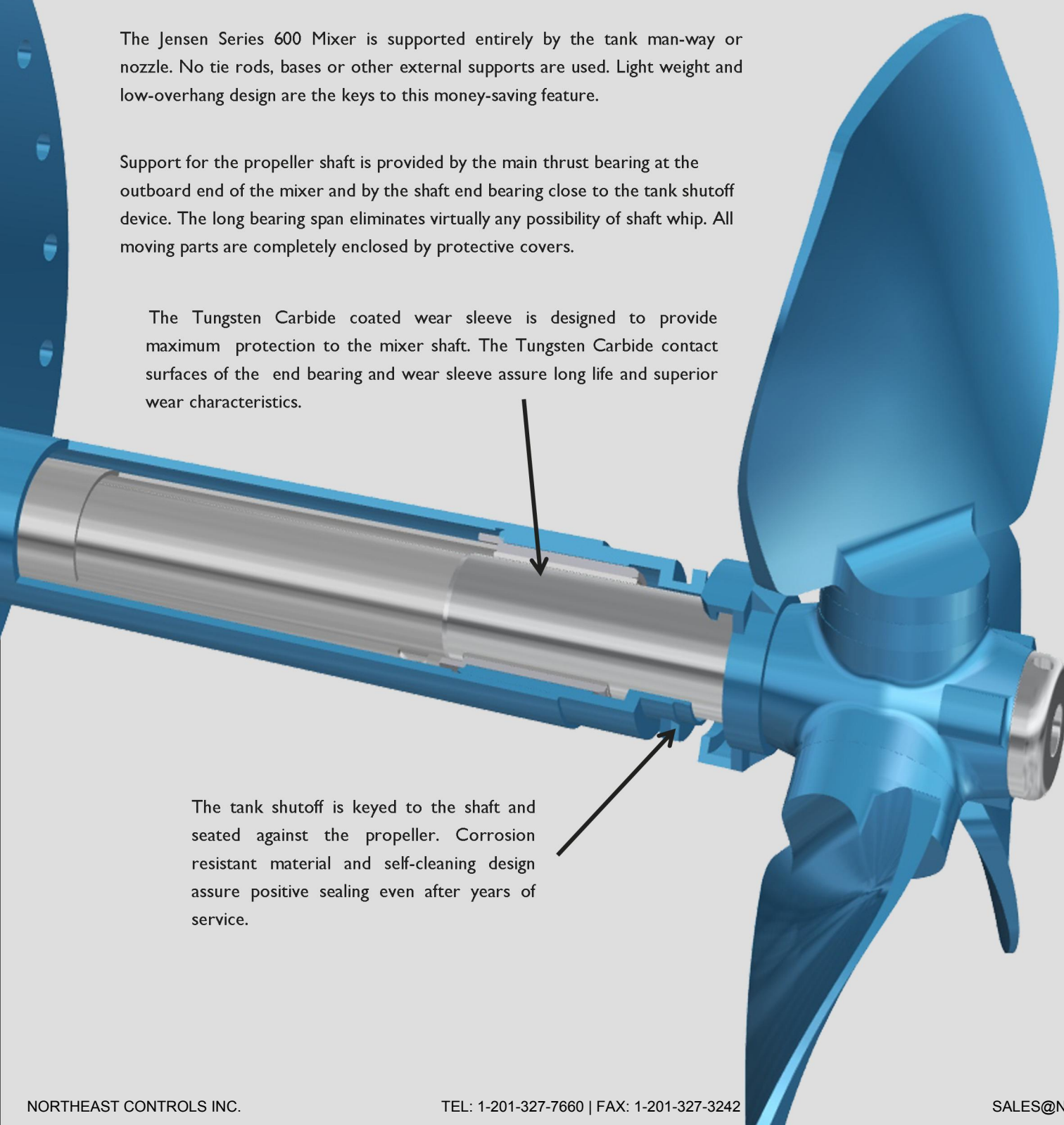
Gearbox – 356-T6 heat treated Aluminum Alloy

O Rings – Viton “A”

The Jensen Series 600 Mixer is supported entirely by the tank man-way or nozzle. No tie rods, bases or other external supports are used. Light weight and low-overhang design are the keys to this money-saving feature.

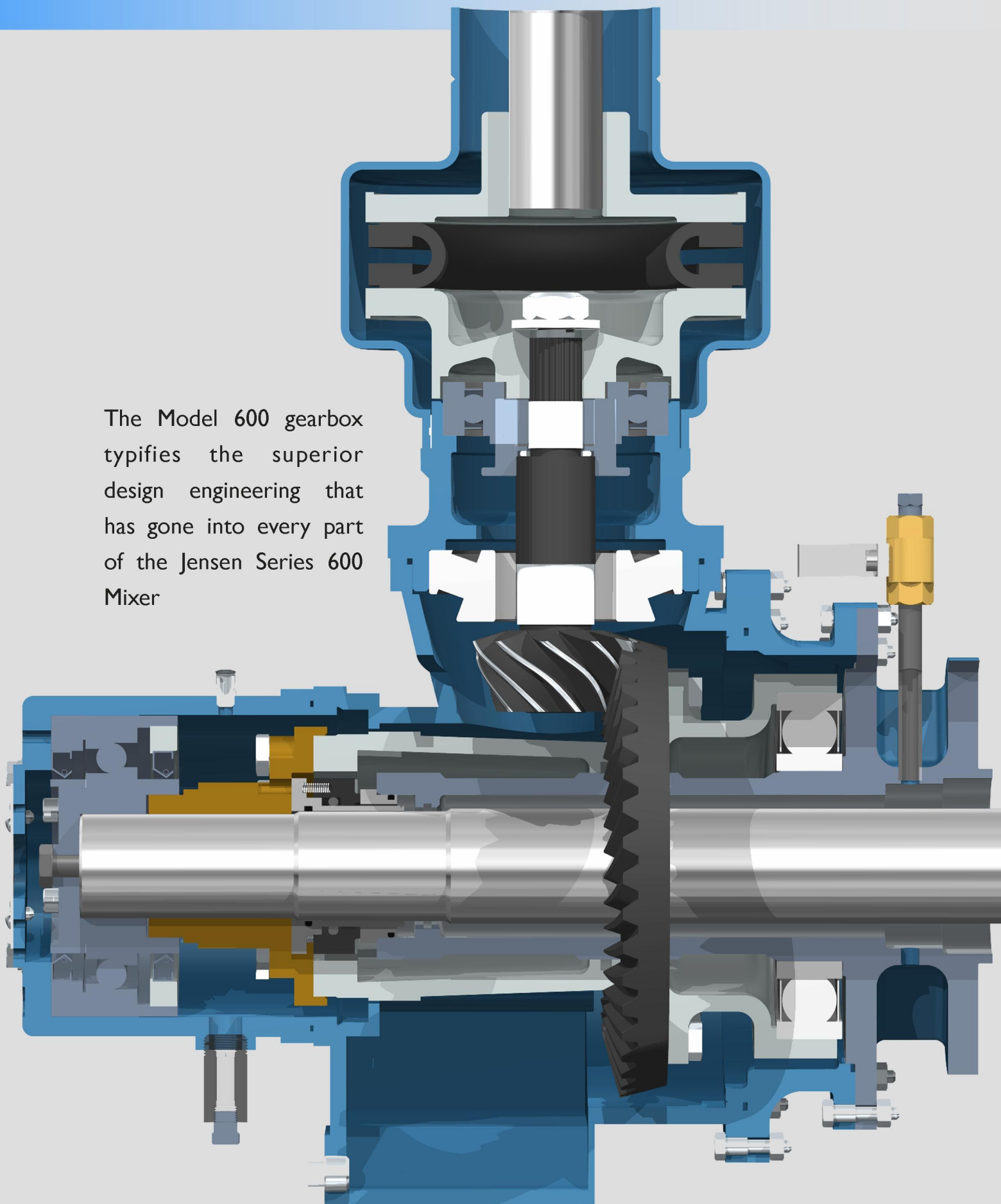
Support for the propeller shaft is provided by the main thrust bearing at the outboard end of the mixer and by the shaft end bearing close to the tank shutoff device. The long bearing span eliminates virtually any possibility of shaft whip. All moving parts are completely enclosed by protective covers.

The Tungsten Carbide coated wear sleeve is designed to provide maximum protection to the mixer shaft. The Tungsten Carbide contact surfaces of the end bearing and wear sleeve assure long life and superior wear characteristics.



The tank shutoff is keyed to the shaft and seated against the propeller. Corrosion resistant material and self-cleaning design assure positive sealing even after years of service.

The Model 600 gearbox typifies the superior design engineering that has gone into every part of the Jensen Series 600 Mixer



GEARBOX

Maximum gear loading is 54% of rated capacity.

The lower flexible coupling half provides rain and dirt protection for the upper pinion bearing.

Internal air volume has been reduced to eliminate condensate problems in tropical and coastal areas.

Gearcase parts are cast of high strength, 356-T6 heat treated aluminum alloy. The body is of heat resistant steel to assure positive protection against product leakage under conditions of high temperature.

The gearbox may be removed as a unit for shop maintenance without disturbing motor mount alignment or moving coupling halves.

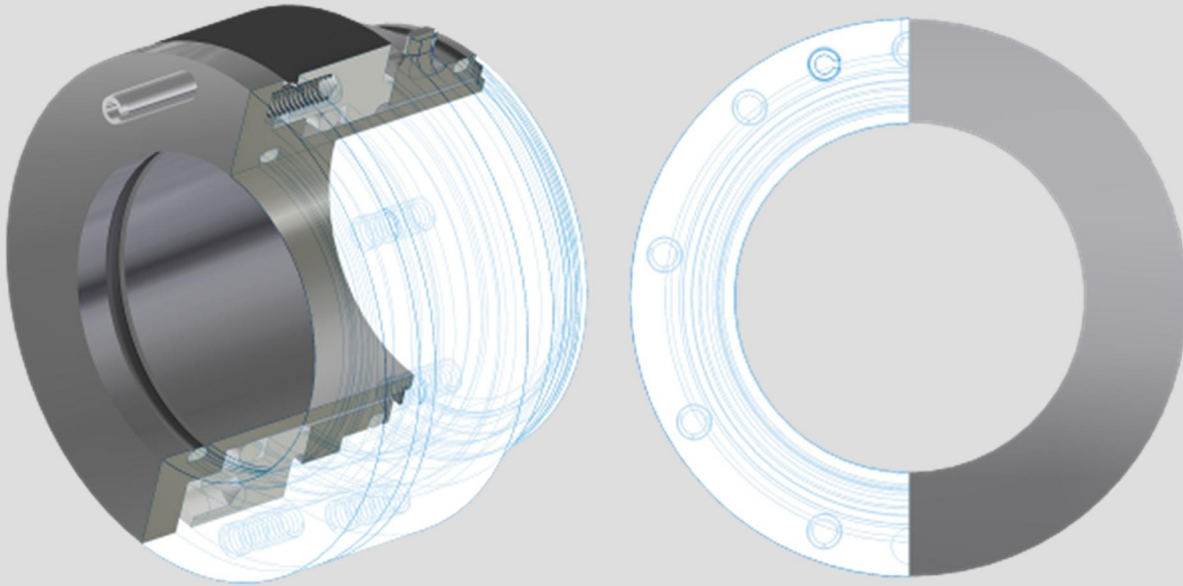
Gear inspection is simplified by the cartridge type pinion assembly which may be inspected without re-adjustment (above).

All moving parts are completely enclosed by protective covers.

Housings have rabbeted joints for positive alignment and are o-ring sealed.

Gearbox housings form a protective enclosure around the mechanical seal, eliminating exposure to the elements and resulting in longer seal life.

MECHANICAL SEAL



Mechanical Seal

The Jensen Type “F” mechanical seal is an integral part of every Series 600 Mixer. It is designed for long life at low cost. Materials of construction are selected to suit petroleum applications.

Rotating Seal Face – Carbon

Stationary Seal Face – Ni-Resist 2 (High Nickel Cast Iron)

Both sealing members are extra heavy to prevent face distortion.

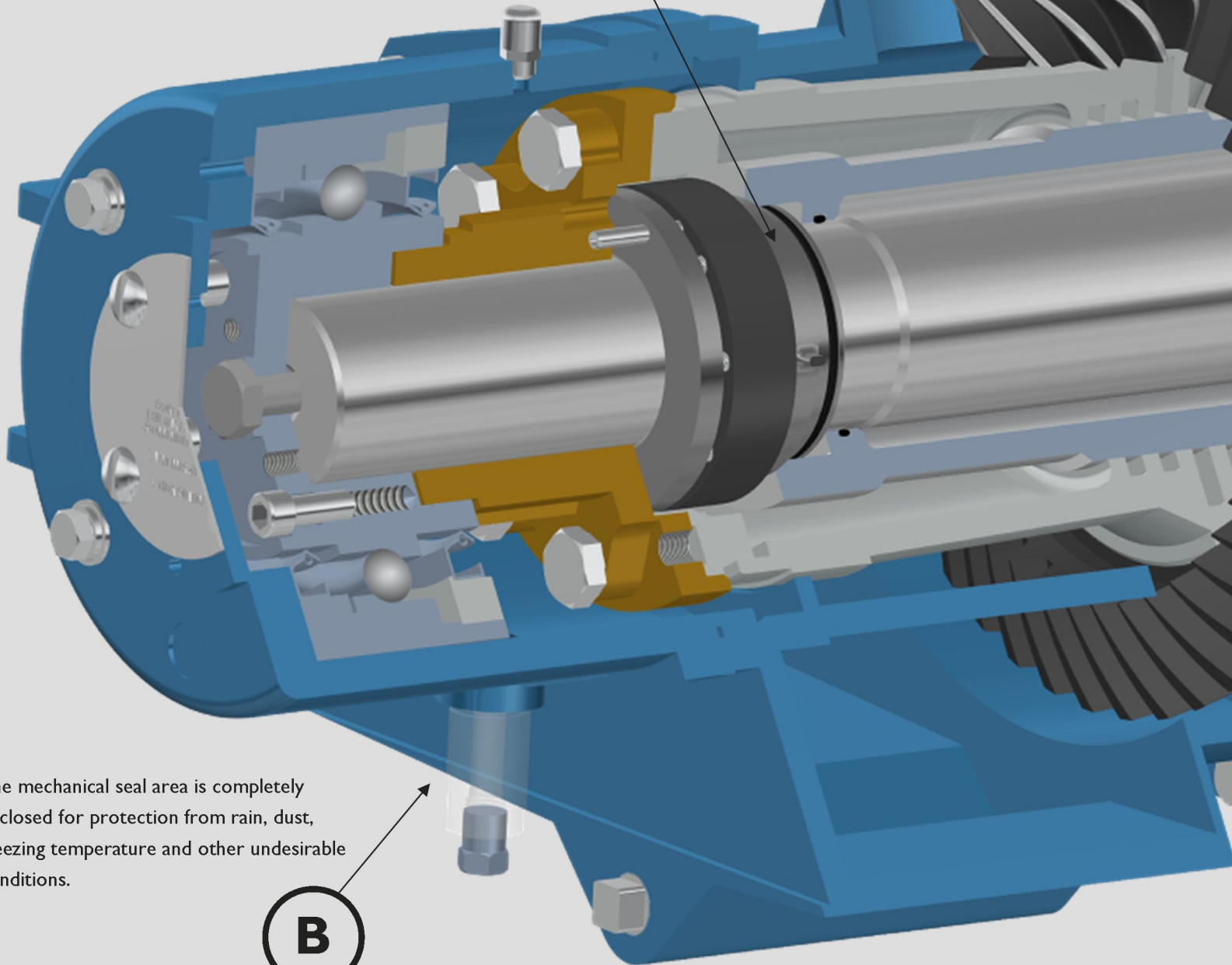
Sleeve – 316 Stainless Steel

O-rings – Viton “A”

Springs – Inconel

If seal replacement is necessary, wearing parts may be purchased separately, cutting replacement cost in half.

When the mechanical seal is replaced, the shaft is sealed at two points. In addition to the front locking seal, an O-Ring Seal **A** just inboard from the seal is engaged. This secondary shaft seal minimizes product loss during seal change and acts as a back-up for the main locking seal.

A

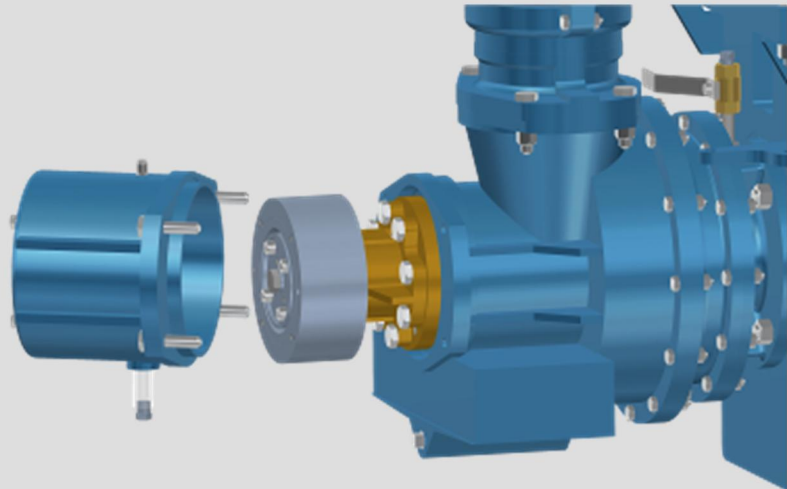
The mechanical seal area is completely enclosed for protection from rain, dust, freezing temperature and other undesirable conditions.

B

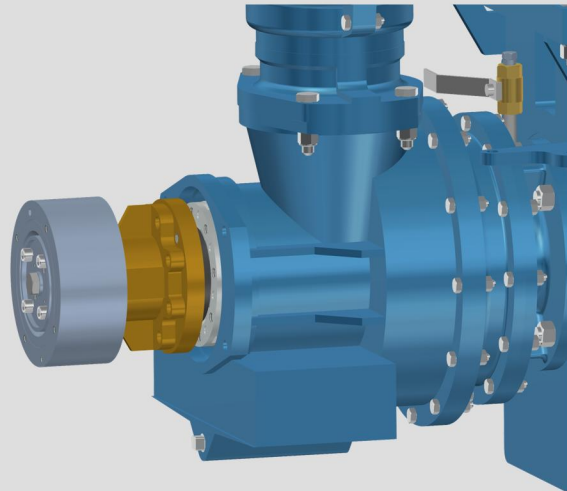
A sight glass **B** is provided for seal leak detection.

MECHANICAL SEAL REPLACEMENT

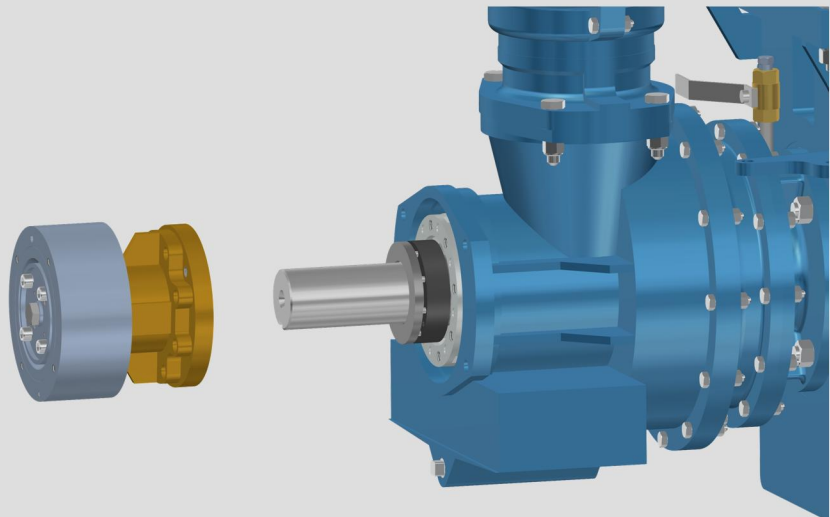
1. Remove yoke bolts and bearing cap .



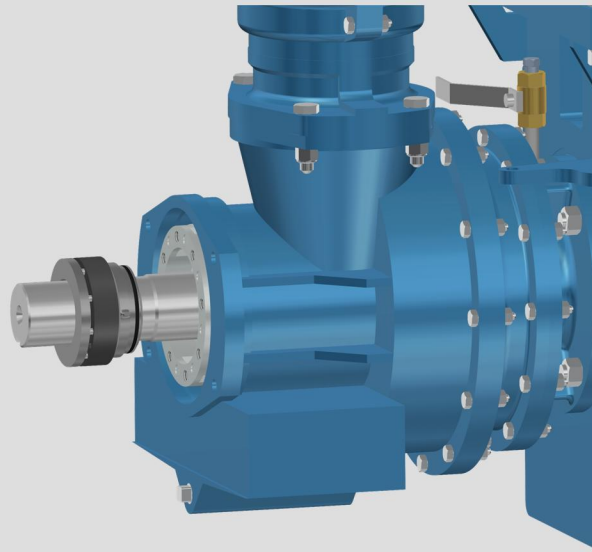
2. Pull shaft back and rotate 1/4 turn counter clockwise until lock engages and shaft stops.



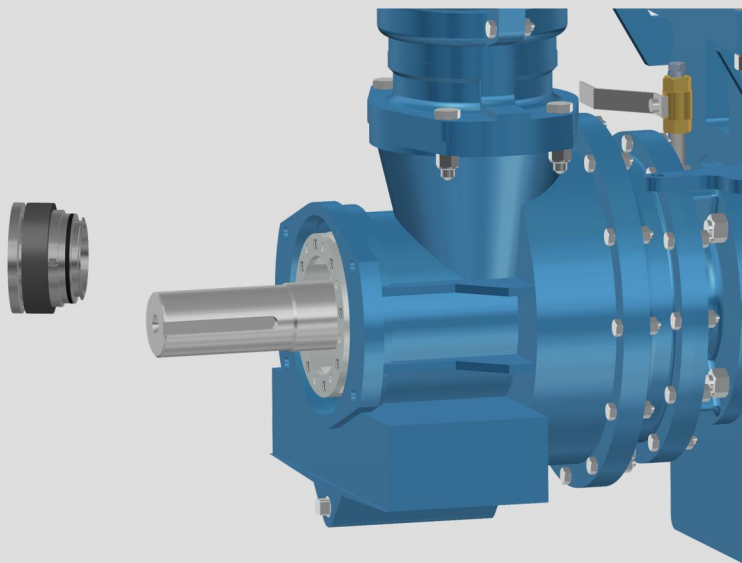
3. Remove the shaft bolt, thrust bearing assembly, and the key and yoke.



4. Remove the seal by carefully sliding it off the shaft.



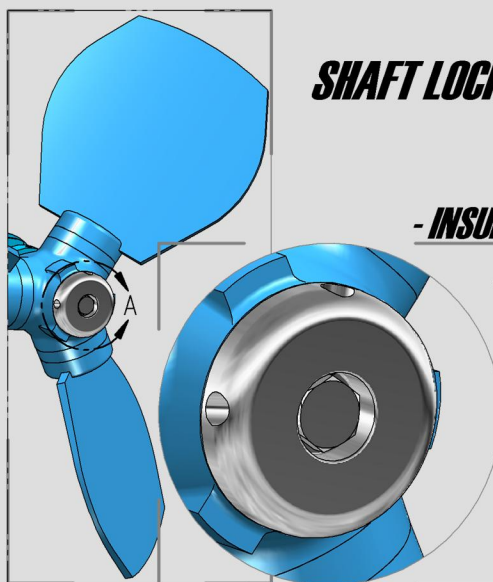
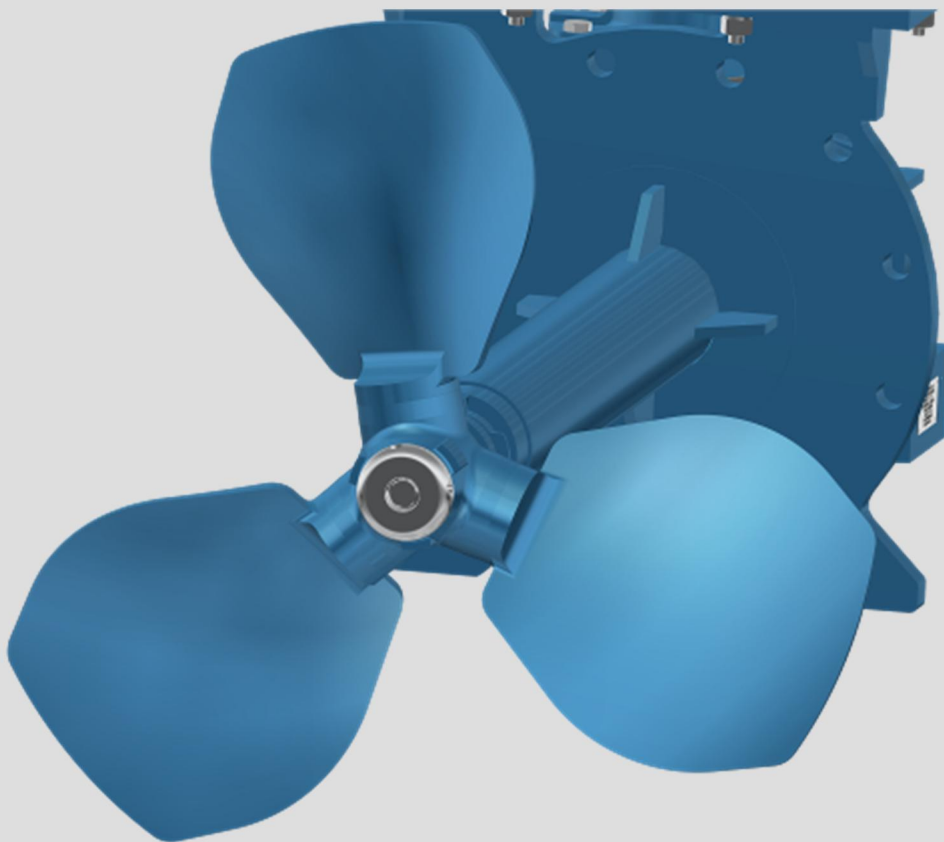
5. True cartridge design simplifies removal and insures positive seal face protection during change-out.



It takes longer to read this brochure than it does to change our seals.

PROPELLER

The exclusive Jensen Pitch-Adjusted propeller is a highly efficient, three blade, marine type propeller precision set and *permanently fixed* at our factory to assure superior mixing performance in each individual application. Factory selection of optimum pitch/diameter ratio results in high thrust, increased flow and maximum utilization of available power.



SHAFT LOCK WASHER

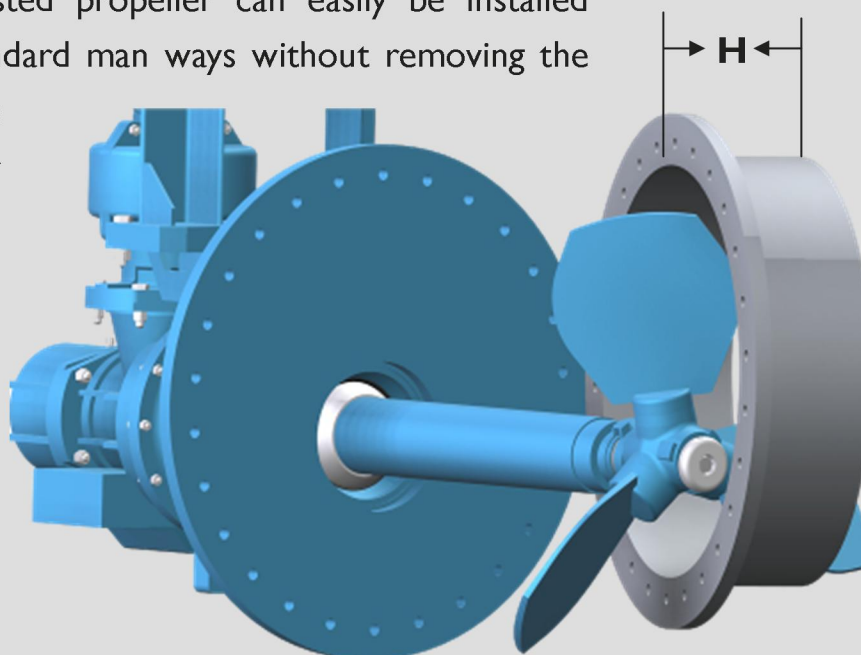
- INSURES PROPER LOCKING OF PROP***
- STAINLESS STEEL***
- UNIQUE ENGINEERED DESIGN***

DETAIL A

The Jensen Pitch-Adjusted propeller is the most tested and most inspected propeller available on any mixer.

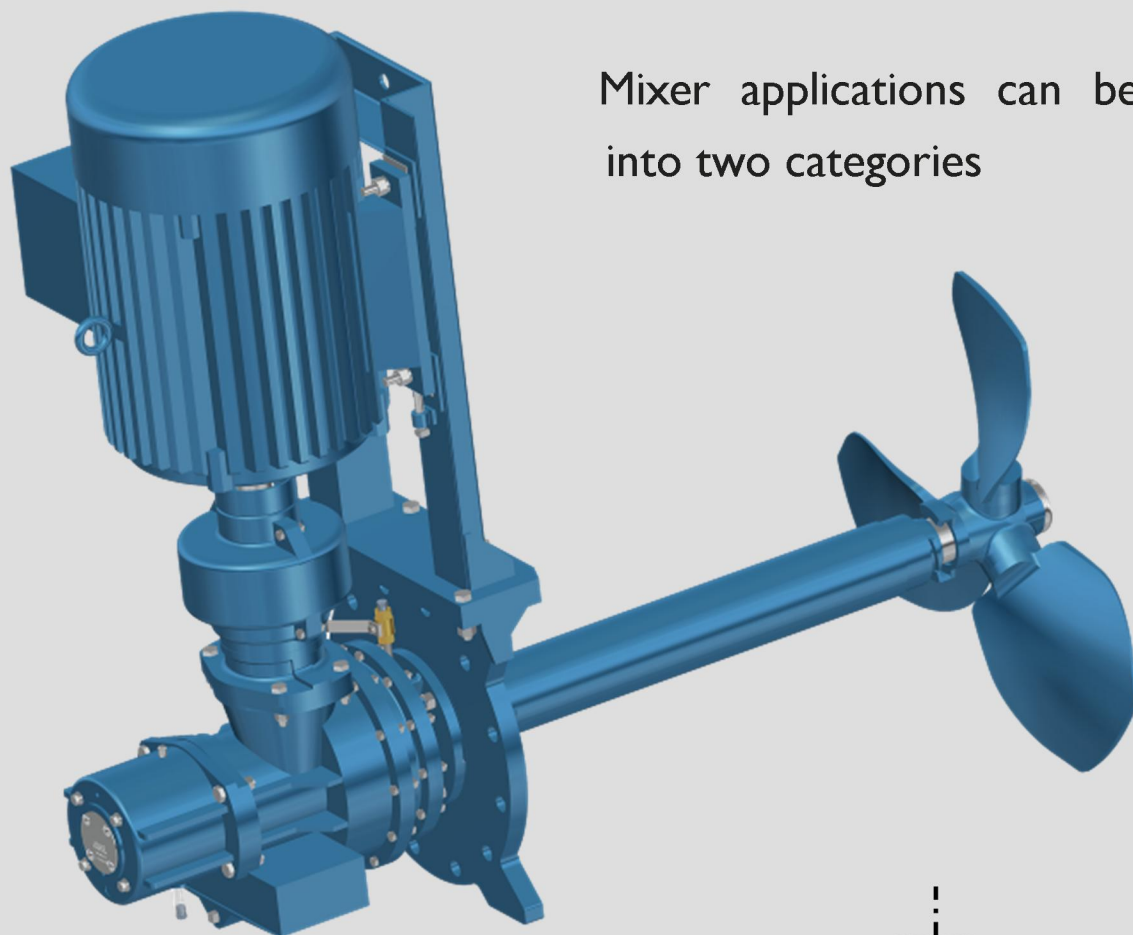
PROPELLER SIZE						
H	20"	23"	26"	29"	32"	35"
Manway inside diameter required to insert propeller.						
4	14	16	17	19	20	22
5	15	16	18	19	21	22
6	16	17	19	20	22	24
7	16	19	19	22	24	25
8	16	19	20	23	25	26

Jensen Pitch-Adjusted propeller can easily be installed through most standard man ways without removing the prop from the mixer shaft or entering the tank.



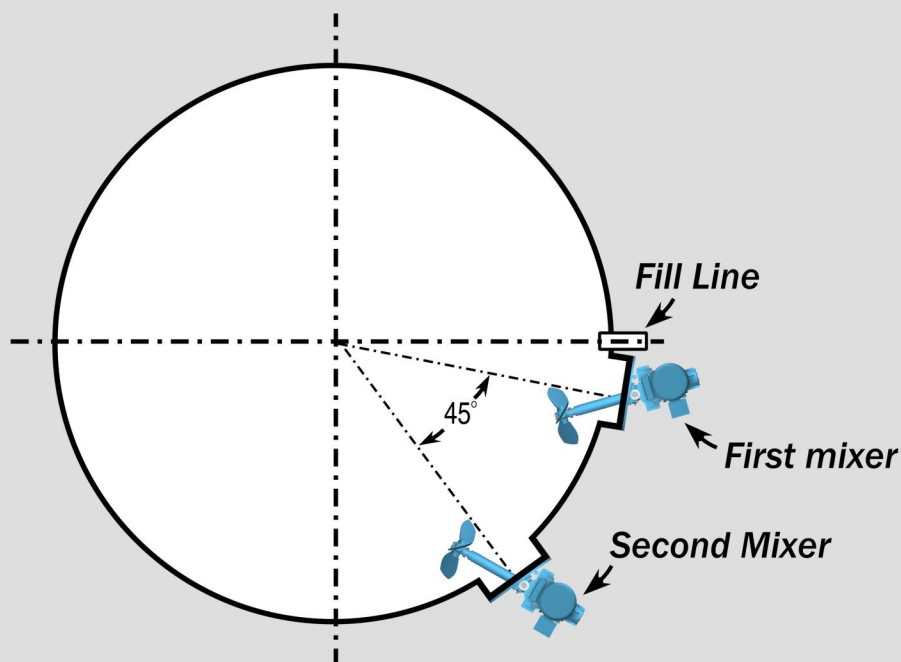
Defining your requirements and selecting the right mixer to the job is most important. Jensen offers a mixer specifically tailored to every need.

Mixer applications can be separated into two categories



FA

For companies blending two or more fluids. Select the Jensen Model 600 Fixed-Angle Mixer.

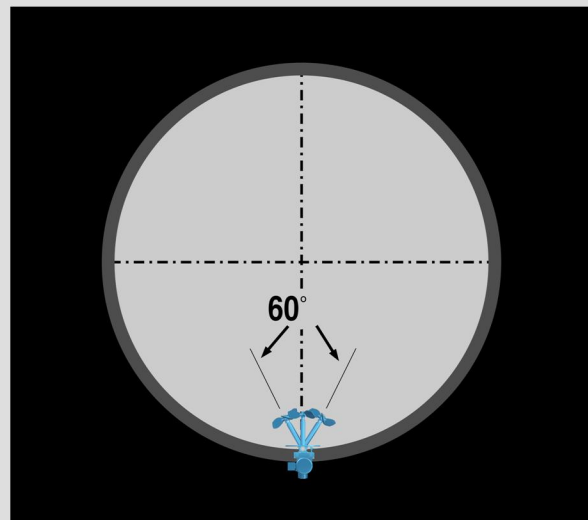
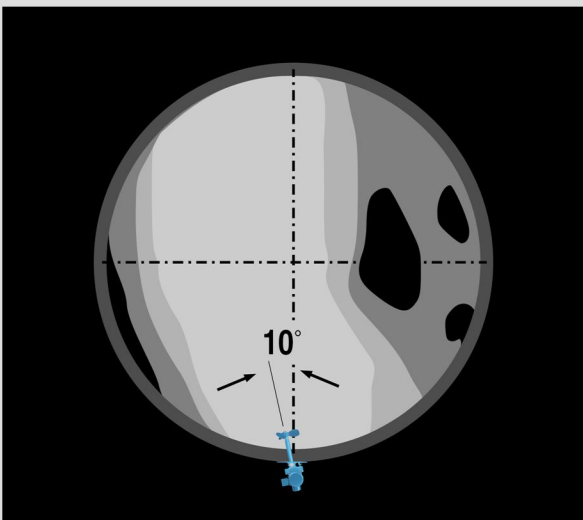
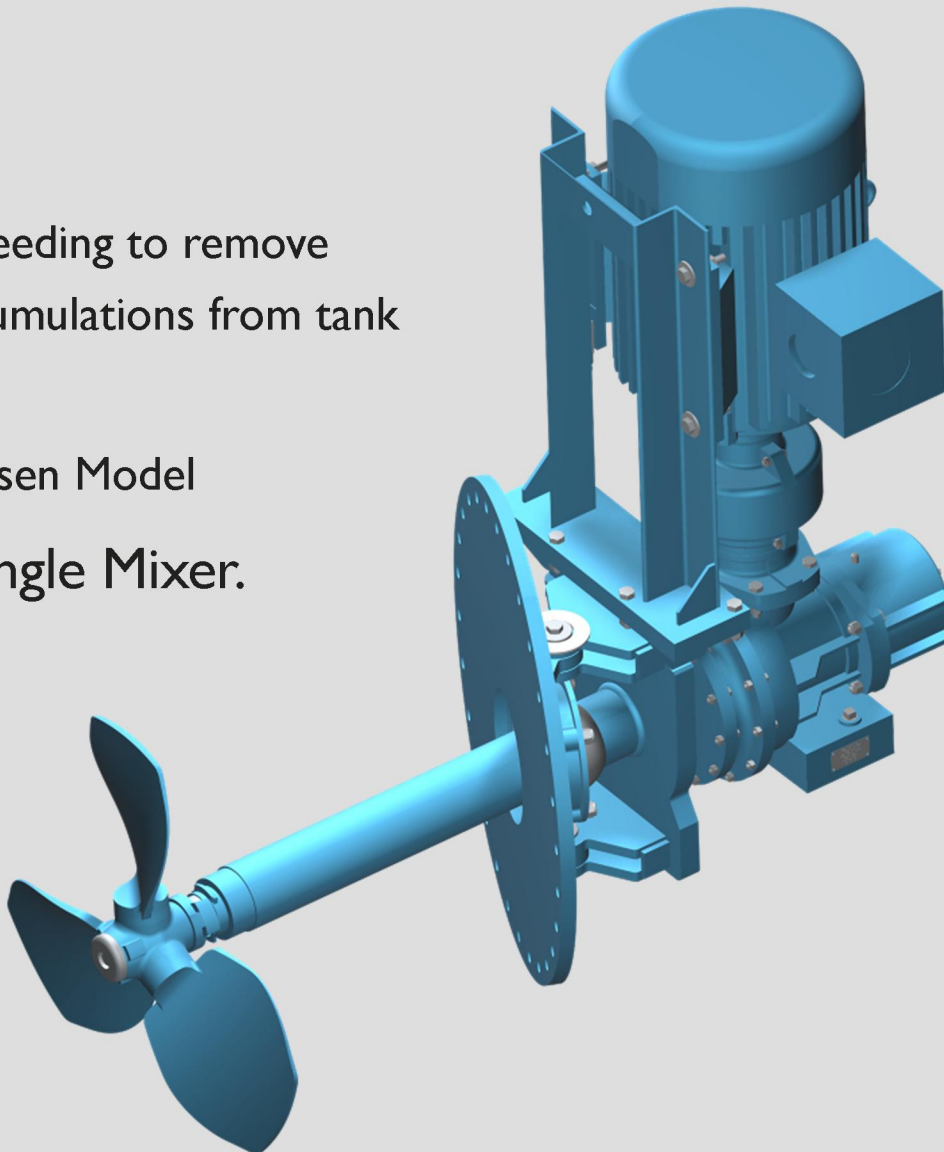


SELECTION

VA

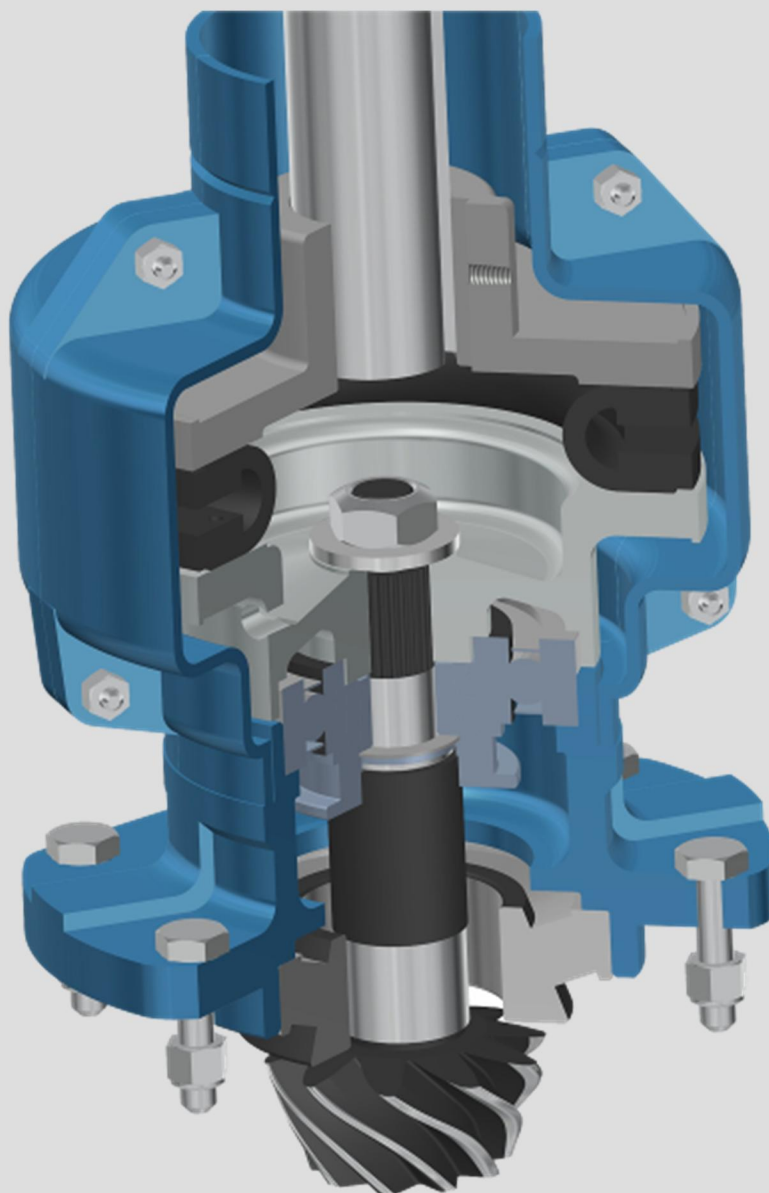
Companies needing to remove sediment accumulations from tank bottom.

Select the Jensen Model 600-Vari-Angle Mixer.



In cases where both services are required, the Vari-Angle should be selected.

COUPLING

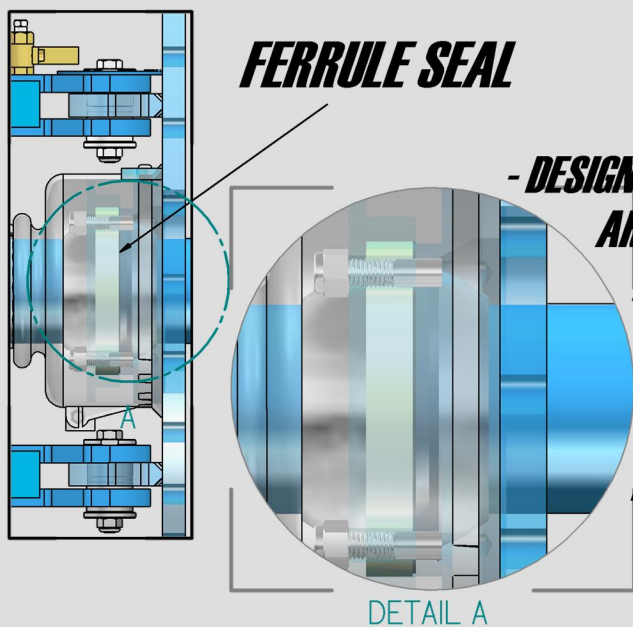


The design simplicity of the Jensen non-lubricated coupling guarantees maximum life even under the most severe conditions. The tough, multi-ply flexible nylon and rubber element* permits angular and parallel misalignment in excess of other couplings.

Removal of the driver, gearbox or flexible element can be accomplished without moving hubs on their shaft.

**The flexible "Torus" element is a patented product of The Falk Corporation.*

VARI-ANGLE

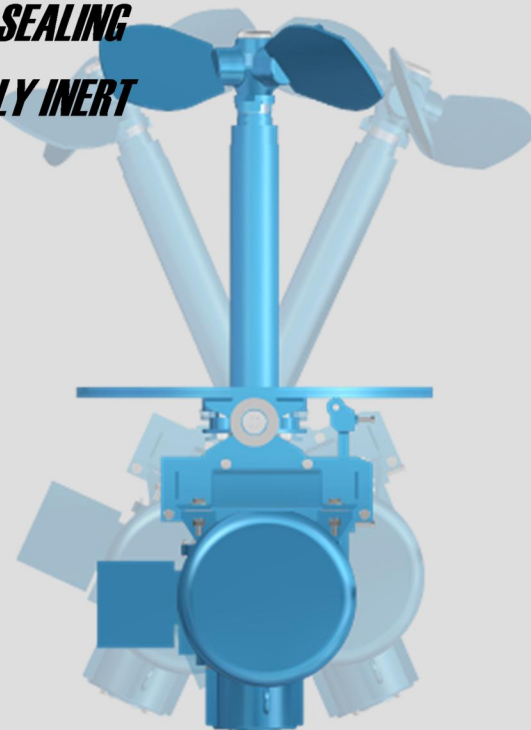


FERRULE SEAL

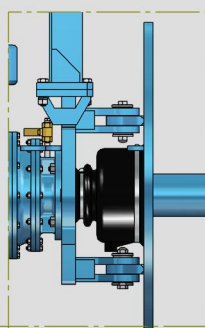
***- DESIGNED FOR PERFECT FIT
AROUND VA BALL AND
NOZZLE***

- SUPERIOR SEALING

***- CHEMICALLY INERT
MATERIAL***

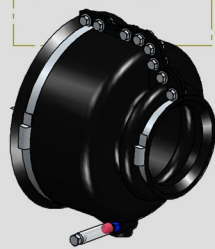
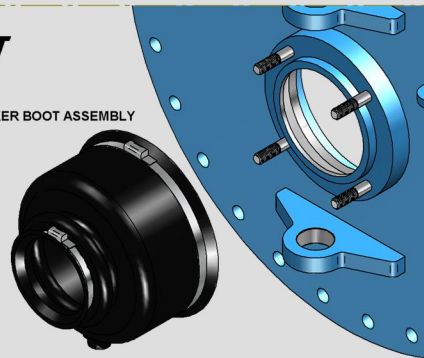


The Jensen Vari-Angle mixer features a precision, ball-type stuffing box allows up to 60 degrees of angular movement. Sealing the VA ball is accomplished by Jensen's innovative FERRULE SEAL backed by Teflon impregnated non-asbestos packing which is fully adjustable eliminating leaks. Mixer weight is supported entirely by two heavy-duty, pin-type hinges. As with all Jensen Mixers no turn-buckles, tie rods, bases, or other extra supports are required. Angle changes can be made easily by one person, or automatically controlled by the optional Mechanical Actuator.



FLEX BOOT

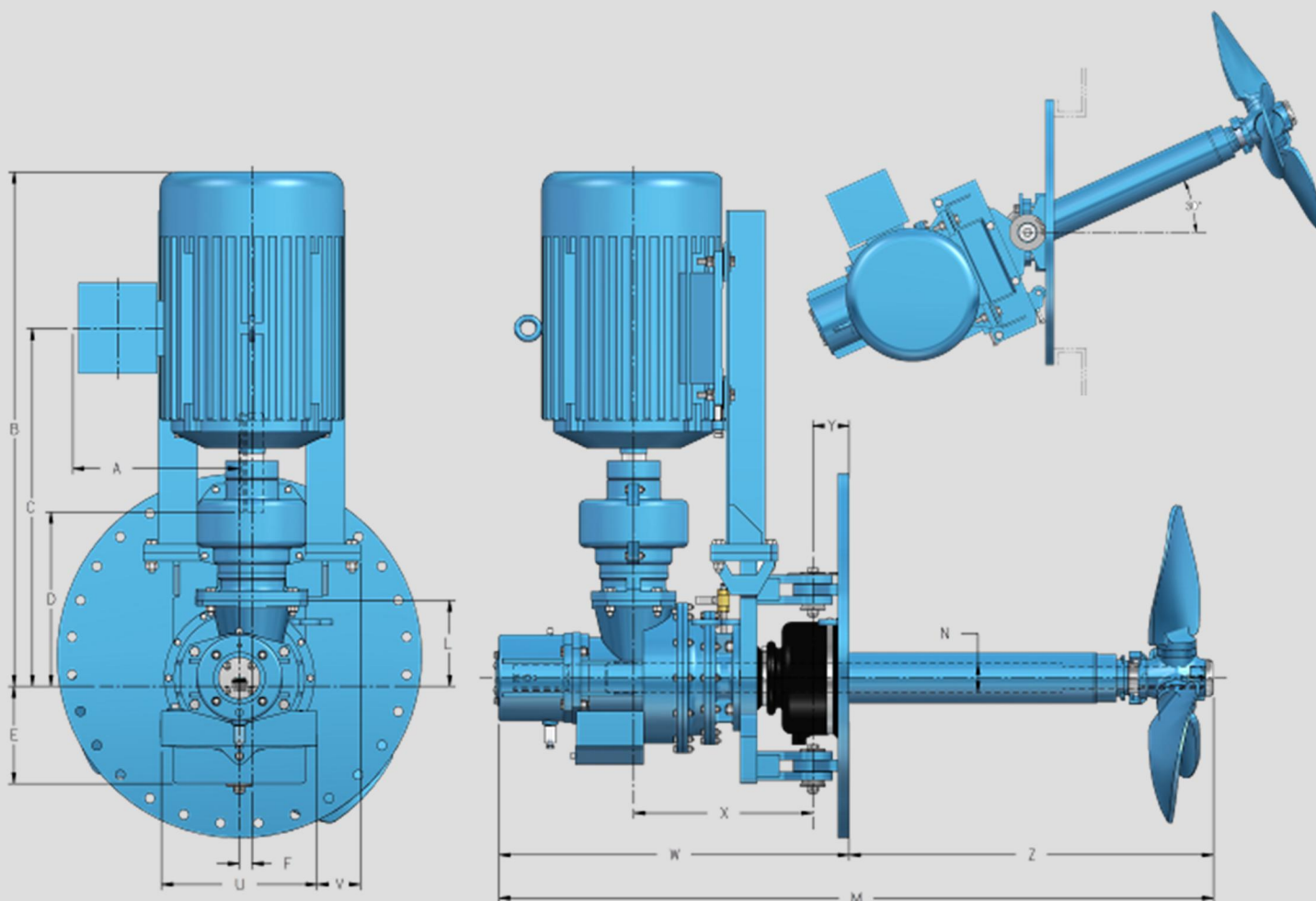
NEW MIXER BOOT ASSEMBLY



RETRO FIT FIELD SPLIT BOOT ASSEMBLY

***- PROTECTS AGAINST SAND, DUST,
WEATHER AND THE OCCASIONAL PAINT
GUN.***

VARI-ANGLE DIMENSIONS



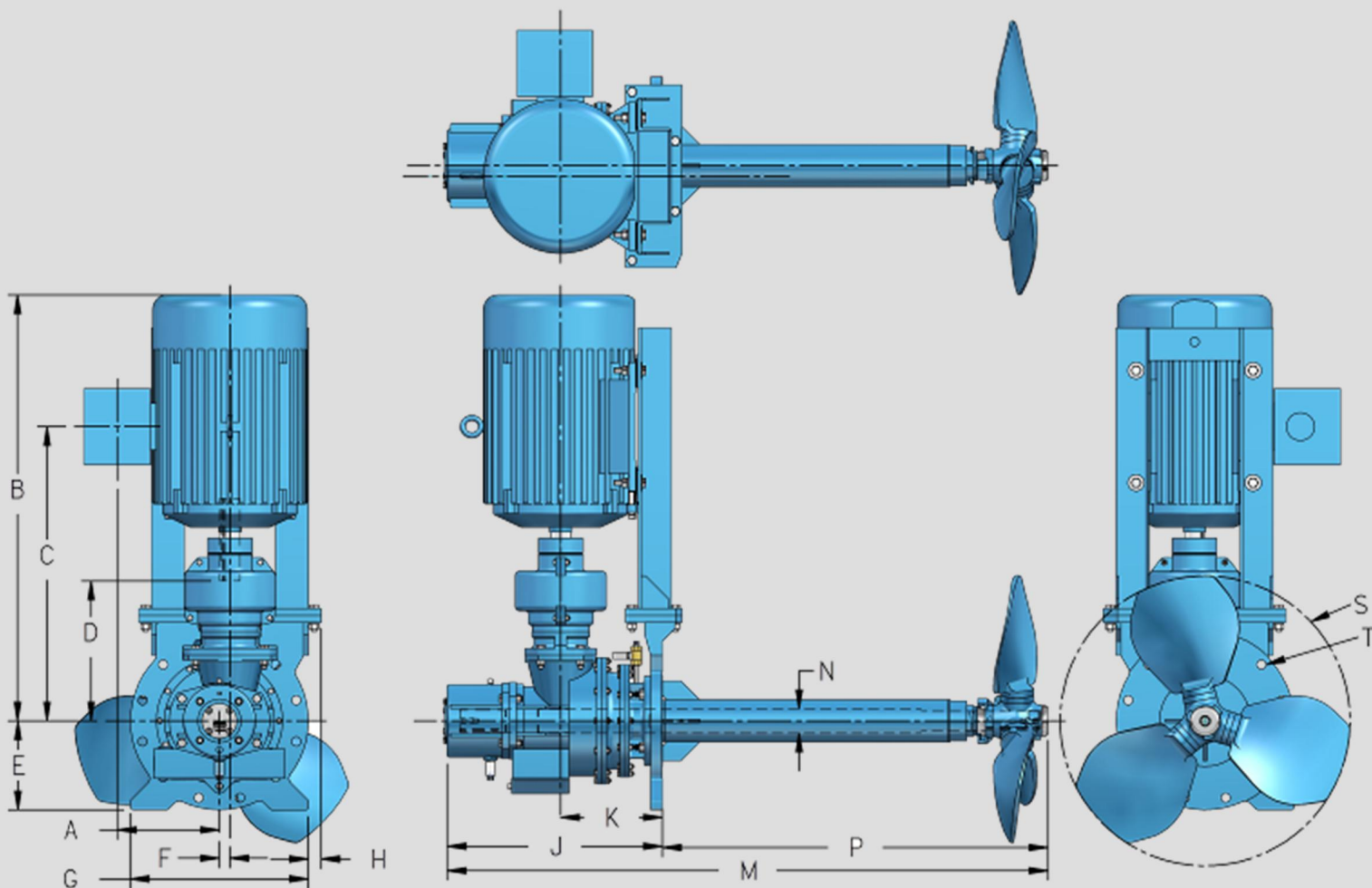
	A	B	C	D	E	F	L	M	N	S
620-VA				11.500	6.750	1.125		54.375	1.625	
650-VA				14.500	9.500	1.125		62.375	2.125	
680-VA				14.625	9.500	1.125		64.375	2.625	

	U	V	W	X	Y	Z	MANWAY COVERPLATE FURNISHED TO FIT CUSTOMERS EXISTING TANK MANWAY.
620-VA	12.250	1.750	25.375	12.625	3.000	29.000	
650-VA	14.250	2.750	29.375	14.875	3.000	33.000	
680-VA	14.250	2.750	31.000	15.750	3.000	33.375	

All dimensions are in inches.

All dimensions subject to change without notice.

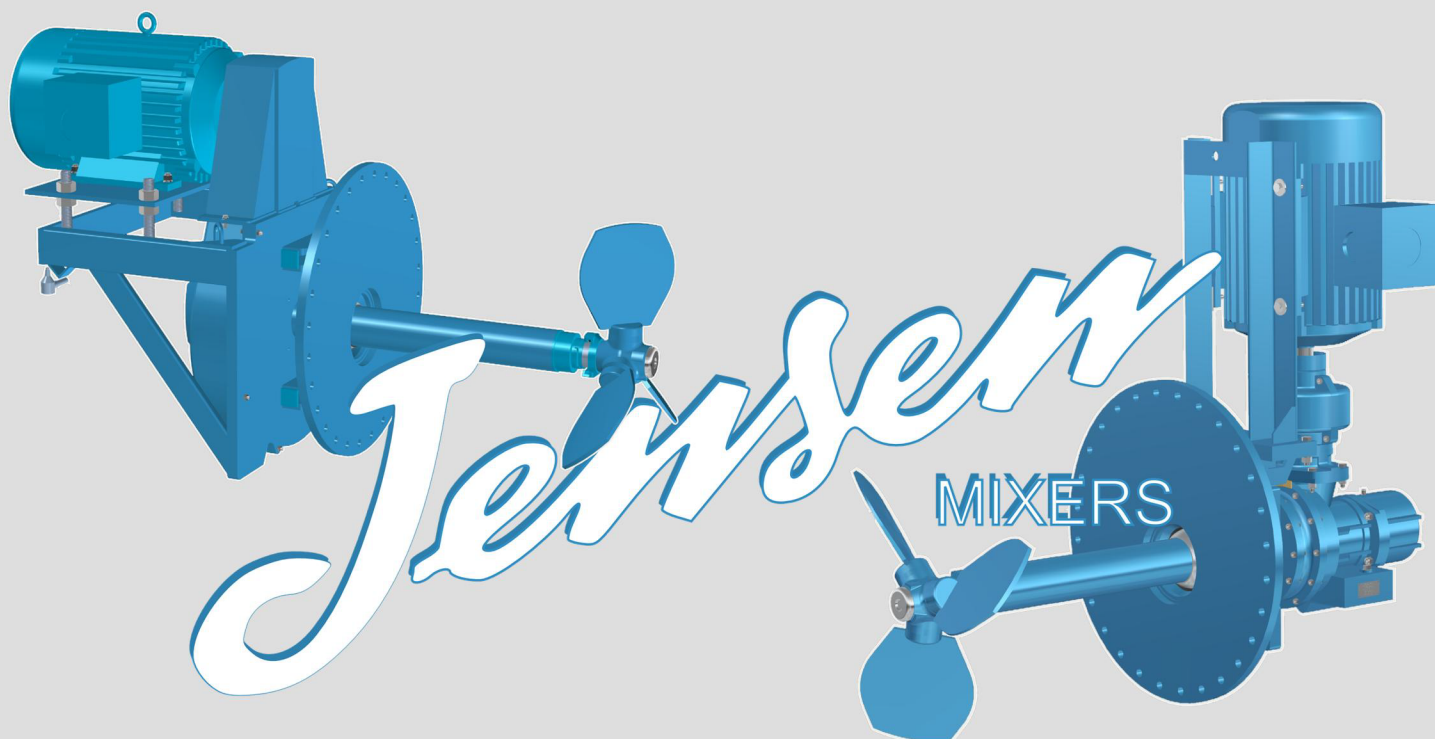
FIXED ANGLE DIMENSIONS



	A	B	C	D	E	F	G	H	J	K	M
620				11.500	6.750	1.125	13.500	1.125	18.000	8.125	54.375
650				14.500	9.500	1.125	19.000	.375	22.000	10.500	62.375
680				14.625	9.500	1.125	19.000	.375	23.000	10.750	64.375
				N	P	S	T*				
620				1.625	36.375		8" 150# ANSI				
650				2.125	40.375		10" 150# ANSI				
680				2.625	40.375		12" 150# ANSI				

All dimensions are in inches. All dimensions are subject to change without notice.

* Mixer bolts to 150# ANSI flange with drillings straddling vertical centerline.



Jensen

Mixers International, Inc.

LIMITED WARRANTY

Jensen Mixers are warranted against defects in materials or workmanship for a period of 12 months following date of purchase. This warranty is limited to replacement or repair of the agitator by Jensen Mixers International only and does not cover consequential damages, removal, freight or re-installation. Electric motors are warranted by their respective manufacturers and are excluded from Jensen warranty.

S18E-4 © SUMMER 2012